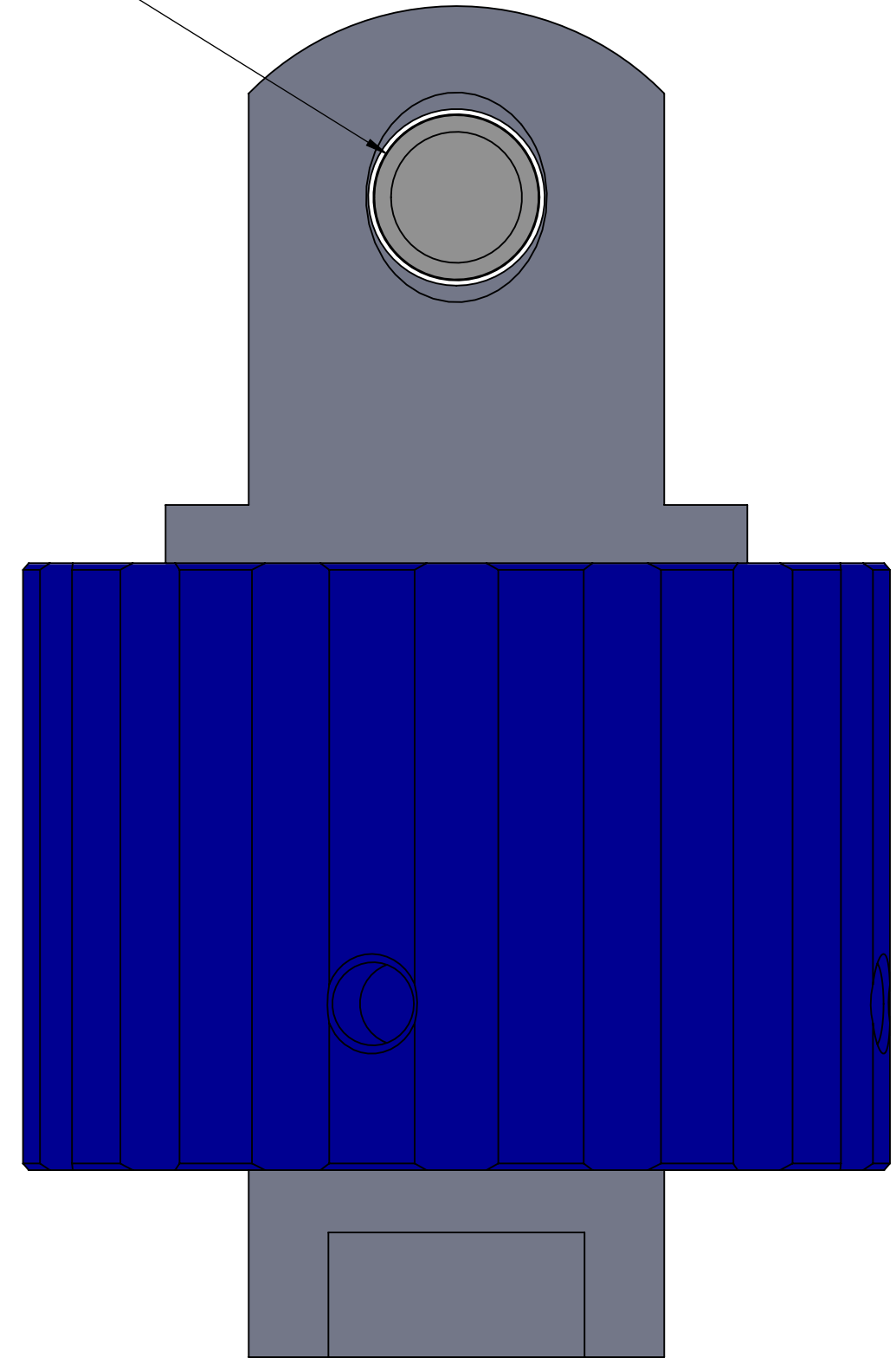
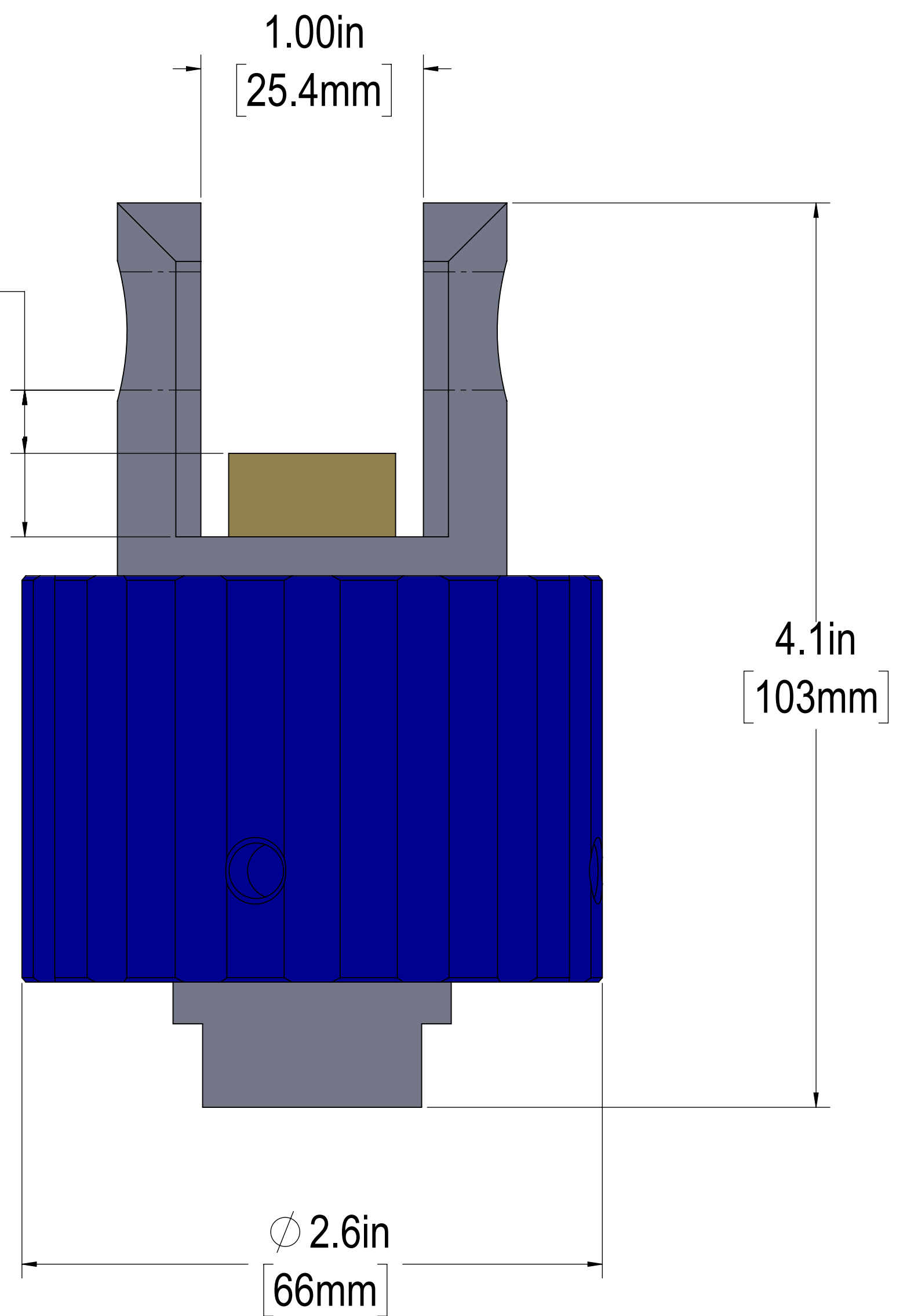



REVISIONS		
REV.	DRAWN BY	DATE
001	DSP	20231020

\varnothing 0.49in
 [12.5mm]
 PIN DIA



0.28 - 0.66in
 [7.2 - 16.8mm]



TITLE: CLEVIS, NO TURN, 1/2"		
		DRAWING NAME CTW-7BB-003
		MATERIAL _____ FINISH _____
PART NUMBER CTW-7BB-003		REVISION 001
DATE 20231020	DRAWN DSP	CHECKED _____
SIZE: C	SCALE: 1:1	SHEET 1 OF 1

PROPRIETARY AND CONFIDENTIAL.
 THE INFORMATION CONTAINED IN THIS
 DRAWING IS THE SOLE PROPERTY OF
 CAROLINA TEST WORKS. ANY
 REPRODUCTION IN PART OR AS A WHOLE
 WITHOUT THE WRITTEN PERMISSION OF
 CAROLINA TEST WORKS IS PROHIBITED.

DIMENSIONS ARE IN INCHES
 TOLERANCES:
 ANGULAR: _____
 X.X _____ ± 0.1
 X.XX _____ ± 0.01
 X.XXX _____ ± 0.005
 X.XXXX _____ ± 0.0005
 UNLESS OTHERWISE SPECIFIED
 DO NOT SCALE DRAWING